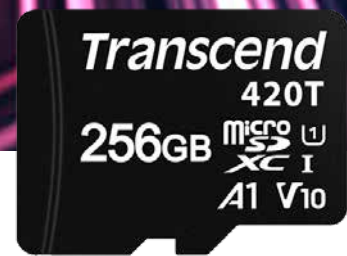


Embedded Solutions



microSD Cards

microSDHC/SDXC420T

3K P/E cycles

Utilizing top-quality 3D NAND Flash and rated to endure 3K P/E cycles, Transcend's microSDXC/SDHC 420T memory cards combine the advantages of high performance and exceptional endurance at an affordable price, making them ideal for write-intensive applications such as medical devices, surveillance systems, and POS terminals.

Features

- Compliant with UHS-I
- Compliant with SD specification 5.1
- Compliant with UHS-I Speed Class 10
- Compliant with Application Performance Class 1 (A1)
- Compliant with RoHS 2.0 standards
- Endurance: 3K P/E cycles (Program/Erase cycles) guaranteed
- Built-in ECC (Error Correction Code) functionality

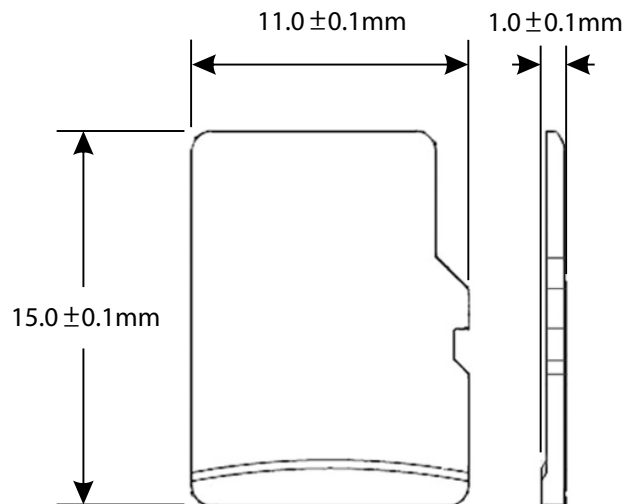
Ordering Information

32GB	TS32GUDC420T
64GB	TS64GUDC420T
128GB	TS128GUDC420T
256GB	TS256GUDC420T

Specifications

Appearance	Dimensions	11 mm x 15 mm x 1 mm (0.43" x 0.59" x 0.04")
	Form Factor	microSD flash card
Storage	Flash Type	3D NAND flash
	Capacity	32 GB/64 GB/128 GB/256 GB
Operating Environment	Operating Voltage	2.7V ~ 3.6V
	Drop Test	1.5m free fall
	Operating Temperature	Standard: -25°C (-13°F) ~ 85°C (185°F)
	Storage Temperature	-40°C (-40°F) ~ 85°C (185°F)
	Humidity	0% ~ 95%
	Shock	Acceleration: 490 m/s ² (standard holding time: 11 ms, semi-sine wave, velocity change: 3.44 m/s)
Power	Vibration (Operating)	20 G (peak-to-peak), 20 Hz ~ 2,000 Hz (frequency)
	Power Consumption (Max.)	0.5 watt(s)
Performance	Read Speed (Max.)	95 MB/s
	Write Speed (Max.)	40 MB/s
	Terabytes Written (Max.)	320 TB
Warranty	Certificate	CE/FCC/BSMI
	Warranty	Three-year Limited Warranty
Note	• Speed may vary due to host hardware, software, usage, and storage capacity.	

Mechanical Dimensions



Product specifications are subject to change without notice. Pictures shown may differ from actual products. Total accessible capacity varies depending on operating environment. Due to the complexity and variety of industrial applications, Transcend cannot guarantee 100% compatibility with all platforms and under all scenarios. For special applications and environments, it is strongly suggested that you contact Transcend beforehand for clarification.



Please feel free to contact us with any special requests you might have.
Tel: +886-2-2792-8000 www.transcend-info.com