



## Embedded Solutions



### PCIe M.2 SSDs

# MTE662A

Transcend's MTE662A M.2 SSD features the PCI Express (PCIe) Gen 3 x4 interface and is compatible with NVM Express (NVMe) 1.3 specifications to achieve never-before-seen transfer speeds. The MTE662A features state-of-the-art 3D NAND technology, which allows 96 layers of 3D NAND flash chips to be vertically stacked. Compared to 3D NAND at 64 layers, this density breakthrough greatly improves storage efficiency, and its built-in DRAM cache allows faster access. The MTE662A is compliant with the TCG Opal 2.0 standards. Data is secured by encryption and hierarchical permission, and the durability is fortified with 30µ" gold finger PCB and Corner Bond technology. The MTE662A is fully tested in-house to guarantee reliability in mission-critical applications, boasting an endurance rating of 3K Program/Erase cycles and an extended operating temperature ranging from -20°C~75°C.

### Hardware Features

- PCIe Gen 3 x4 interface
- DDR4 DRAM Cache embedded
- Key components fortified by default with Corner Bond technology
- 30µ" PCB gold finger
- Promised operational reliability in an extended temperature range (from -20°C to 75°C)

### Ordering Information

128GB	TS128GMTE662A
256GB	TS256GMTE662A
512GB	TS512GMTE662A
1TB	TS1TMTE662A
2TB	TS2TMTE662A

### Firmware Features

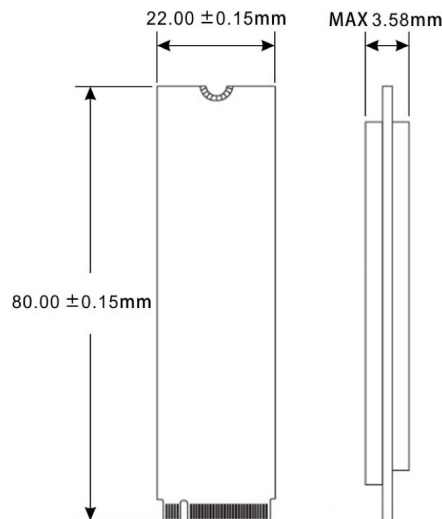
- Supports NVM command
- SLC caching technology
- Dynamic thermal throttling
- Built-in LDPC ECC (Error Correction Code) functionality
- Compliant with TCG Opal specifications and IEEE 1667 standards

\*Supports Microsoft® eDrive standard

## Specifications

<b>Appearance</b>	Dimensions	80 mm x 22 mm x 3.58 mm (3.15" x 0.87" x 0.14")
	Weight	9 g (0.32 oz)
	Form Factor	M.2
	M.2 Type	2280-D2-M (Double-sided)
<b>Interface</b>	Bus Interface	NVMe PCIe Gen3 x4
<b>Storage</b>	Flash Type	3D NAND flash
	Capacity	128 GB / 256 GB / 512 GB / 1 TB / 2 TB
<b>Operating Environment</b>	Operating Voltage	3.3V±5%
	Operating Temperature	Extended -20°C (-4°F) ~ 75°C (167°F)
	Storage Temperature	-55°C (-67°F) ~ 85°C (185°F)
	Humidity	5% ~ 95%
	Shock	1500 G, 0.5 ms, 3 axis
	Vibration (Operating)	20 G (peak-to-peak), 7 Hz ~ 2000 Hz (frequency)
<b>Power</b>	Power Consumption (Operation)	3.4 watt(s)
	Power Consumption (IDLE)	1.0 watt(s)
<b>Performance</b>	Sequential Read/Write (CrystalDiskMark)	Read: up to 3,400 MB/s Write: up to 2,300 MB/s
	4K Random Read/Write (IOMeter)	Read: up to 340,000 IOPS Write: up to 355,000 IOPS
	Mean Time Between Failures (MTBF)	3,000,000 hour(s)
	Terabytes Written (TBW)	up to 2,200 TBW
	Drive Writes Per Day (DWPD)	2 (3 yrs)
<b>Warranty</b>	Certificate	CE / FCC / BSMI
	Warranty	Three-year Limited Warranty

## Mechanical Dimensions



Product specifications are subject to change without notice. Pictures shown may differ from actual products. Total accessible capacity varies depending on operating environment. Due to the complexity and variety of industrial applications, Transcend cannot guarantee 100% compatibility with all platforms and under all scenarios. For special applications and environments, it is strongly suggested that you contact Transcend beforehand for clarification.