

## Embedded Solutions



### SD Cards

# Industrial Temp SDHC/SD100I

## Wide Temperature

Transcend's Industrial Temp SDHC/SD100I cards combine the advantages of large storage capacity and industrial range (-40°C to 85°C) operating temperature flexibility, making them the best solution for tough industrial environments where performance and reliability are essential.

## Features

- RoHS compliant product
- Compatible with SD Specification Ver. 3.01 (Not compatible with UHS-I specification)
- Supports Speed Class Specification up to Class 10
- Mechanical Write Protection Switch
- Supports Copy Protection for Recorded Media(CPRM) for music and other commercial media
- Built-in ECC, Wear leveling and power failure protection functions
- Support ESD IEC 61000-4-2
- Card Lid material: PC + ABS

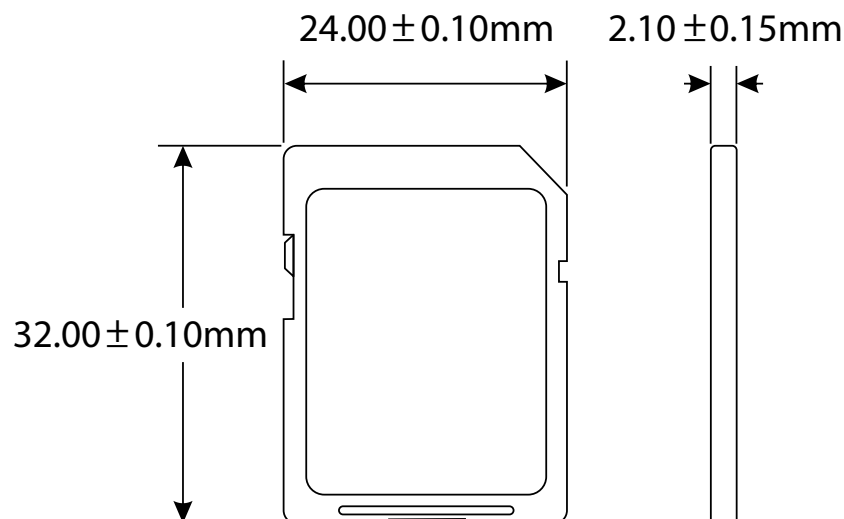
## Ordering Information

128MB	TS128MSD100I
256MB	TS256MSD100I
512MB	TS512MSD100I
1GB	TS1GSD100I
2GB	TS2GSD100I
4GB	TS4GSDHC100I
8G	TS8GSDHC100I

## Specifications

Appearance	Dimensions (Max.)	24 mm x 32 mm x 2.1 mm (0.94" x 1.26" x 0.08")
	Form Factor	SD flash card
Storage	Flash Type	SLC NAND flash
	Capacity	128 MB/256 MB/512 MB/1 GB/2 GB/4 GB/8 GB
Operating Environment	Operating Voltage	2.7V ~ 3.6V
	Drop Test	1.5m free fall
	Operating Temperature	-40°C (-40°F) ~ 85°C (185°F)
	Storage Temperature	-40°C (-40°F) ~ 85°C (185°F)
	Humidity	0% ~ 95%
	Shock	Acceleration: 490 m/s <sup>2</sup> (standard holding time: 11 ms, semi-sine wave, velocity change: 3.44 m/s)
	Vibration (Operating)	20 G (peak-to-peak), 20 Hz ~ 2,000 Hz (frequency)
Power	Power Consumption (Max.)	0.72 watt(s)
Performance	Read Speed (Max.)	24 MB/s
	Write Speed (Max.)	21 MB/s
	Terabytes Written (Max.)	250 TB
Warranty	Certificate	CE/FCC/BSMI
	Warranty	Three-year Limited Warranty
Note	• Speed may vary due to host hardware, software, usage, and storage capacity.	

## Mechanical Dimensions



Product specifications are subject to change without notice. Pictures shown may differ from actual products. Total accessible capacity varies depending on operating environment. Due to the complexity and variety of industrial applications, Transcend cannot guarantee 100% compatibility with all platforms and under all scenarios. For special applications and environments, it is strongly suggested that you contact Transcend beforehand for clarification.



Please feel free to contact us with any special requests you might have.  
Tel: +886-2-2792-8000 [www.transcend-info.com](http://www.transcend-info.com)