

## Embedded Solutions



### SATA III M.2 SSDs

# MTS550T-I

3K P/E cycles

Wide Temperature

Rated to endure 3K P/E cycles, Transcend's MTS550T-I M.2 SSD with SATA III 6Gb/s interface, ultra compact dimensions and 3D NAND flash makes it best suited to address the high-performance needs and strict size limitations of small form factor devices, all while being extra cost-effective and brought to you at an attractive price. The Transcend MTS550T-I is built with DRAM cache for reliable speeds, outstanding cache performance and customized functions to cater to the requirements of various embedded applications. The MTS550T-I M.2 SSD can also perform in a wide range of operating temperatures, and is fully tested in-house to guarantee sustained functionality, enhanced endurance and optimal reliability in mission-critical applications.

## Features

- Endurance: 3K P/E cycles (Program/Erase cycles) guaranteed
- Promised operational reliability in a wide temperature range (from -40°C to 85°C)
- Space-saving M.2 form factor (42mm) – ideal for mobile computing devices
- Supports DevSleep mode, which allows devices to completely shut down the SATA interface and conserve battery life unlike existing partial/slumber states (optional)
- Supports S.M.A.R.T., TRIM and NCQ command
- Supports Advanced Garbage Collection
- RoHS 2.0 compliant
- Advanced Global Wear-Leveling and Block management for reliability
- Built-in LDPC ECC (Error Correction Code) functionality
- Great shock resistance
- Non-volatile Flash Memory for outstanding data retention

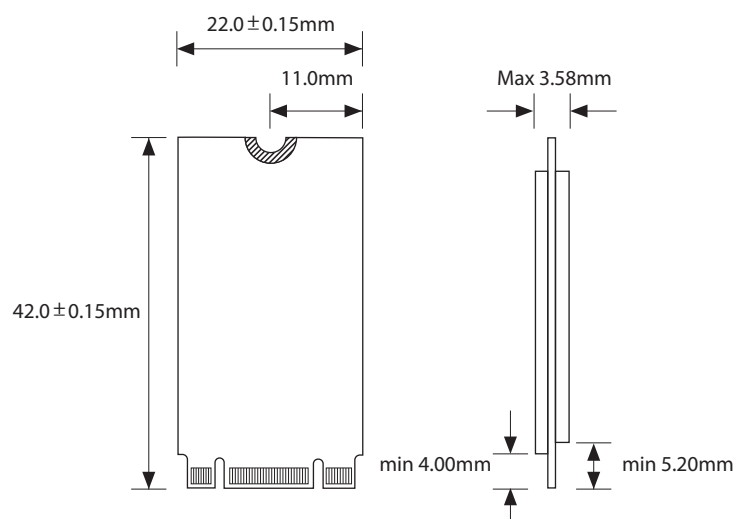
## Ordering Information

64GB	TS64GMTS550T-I
128GB	TS128GMTS550T-I
256GB	TS256GMTS550T-I

## Specifications

Appearance	Dimensions (Max.)	42 mm x 22 mm x 3.58 mm (1.65" x 0.87" x 0.14")
	Weight (Max.)	5 g (0.18 oz)
	Form Factor	M.2
	M.2 Type	2242-D2-B-M
Interface	Bus Interface	SATA III 6Gb/s
Storage	Flash Type	3D TLC NAND flash
	Capacity	64 GB/128 GB/256 GB
Operating Environment	Operating Voltage	3.3V±5%
	Operating Temperature	-40°C (-40°F) ~ 85°C (185°F)
	Storage Temperature	-40°C (-40°F) ~ 85°C (185°F)
	Humidity	5% ~ 95%
	Shock	1500 G, 0.5 ms, 3 axis
	Vibration (Operating)	20 G (peak-to-peak), 5 Hz ~ 800 Hz (frequency)
Power	Power Consumption (Operation)	1.5 watt(s)
	Power Consumption (Sleep)	0.3 watt(s)
Performance	Sequential Read/Write (ATTO, max.)	Read: 560 MB/s; write: 500 MB/s
	Sequential Read/Write (CrystalDiskMark, max.)	Read: 550 MB/s; write: 520 MB/s
	4K Random Read/Write (IOmeter, max.)	Read: 85,000 IOPS; write: 85,000 IOPS
	Mean Time Between Failures (MTBF)	1,000,000 hour(s)
	Terabytes Written (Max.)	440 TB
	Drive Writes Per Day (DWPD)	1.61 (3 yrs)
Warranty	Certificate	CE/FCC/BSMI
	Warranty	Three-year Limited Warranty
Note	<ul style="list-style-type: none"> <li>• Speed may vary due to host hardware, software, usage, and storage capacity.</li> <li>• The workload used to rate DWPD may be different from your actual workload, which may vary due to host hardware, software, usage, and storage capacity.</li> </ul>	

## Mechanical Dimensions



Product specifications are subject to change without notice. Pictures shown may differ from actual products. Total accessible capacity varies depending on operating environment. Due to the complexity and variety of industrial applications, Transcend cannot guarantee 100% compatibility with all platforms and under all scenarios. For special applications and environments, it is strongly suggested that you contact Transcend beforehand for clarification.



Please feel free to contact us with any special requests you might have.  
Tel: +886-2-2792-8000 [www.transcend-info.com](http://www.transcend-info.com)