

## Embedded Solutions



# SATA III M.2 SSDs MTS400 & MTS400I

Transcend's MTS400 with SATA III 6Gb/s interface and ultra compact dimensions make it best suited to address the high-performance needs and strict size limitations of small form factor devices. This means it is perfect for use in today's modern ultrabooks, thin and light notebooks, and tablets. Built with the latest SATA III 6Gb/s specifications, and with a powerful controller and exceptional transfer speeds, the M.2 SSD easily handles everyday computing tasks as well as demanding multimedia applications.

Transcend also offers the MTS400I with wide temperature (-40°C ~ 85°C) capabilities to ensure sustained functionality, enhanced endurance and optimal reliability in mission-critical applications.

## Features

- Space-saving M.2 form factor (42mm) – ideal for mobile computing devices
- Wide-temperature model available: promised operational reliability in a wide temperature range (from -40°C to 85°C)
- DRAM cache
- Supports S.M.A.R.T., TRIM and NCQ command
- Compliant with RoHS 2.0 standards
- Power-saving DevSleep (Device Sleep) mode (optional)
- MLC NAND Flash

## Ordering Information

### Standard (0°C ~ 70°C)

16GB	TS16GMTS400
32GB	TS32GMTS400
64GB	TS64GMTS400
128GB	TS128GMTS400
256GB	TS256GMTS400
512GB	TS512GMTS400

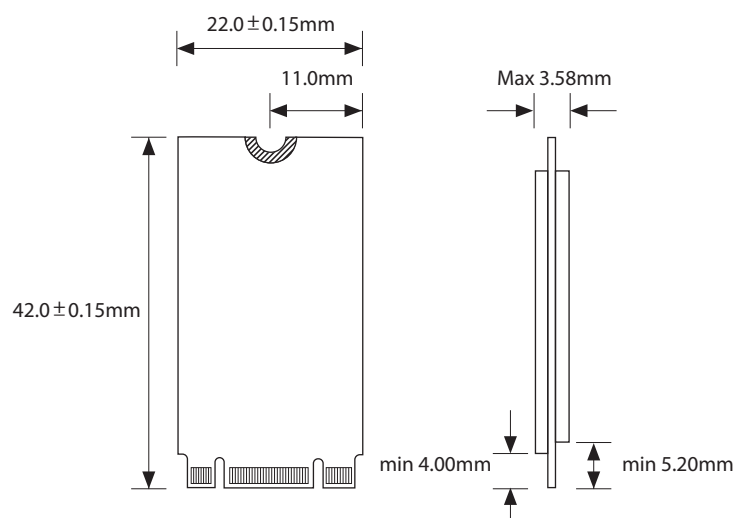
### Wide Temp. (-40°C ~ 85°C)

16GB	TS16GMTS400I
32GB	TS32GMTS400I
64GB	TS64GMTS400I
128GB	TS128GMTS400I
256GB	TS256GMTS400I
512GB	TS512GMTS400I

## Specifications

Appearance	Dimensions	42.0 mm x 22.0 mm x 3.58 mm (1.65" x 0.87" x 0.14")
	Weight	4 g (0.14 oz)
	Form Factor	M.2
	M.2 Type	2242-D2-B-M
Interface	Bus Interface	SATA III 6Gb/s
Storage	Flash Type	MLC NAND flash
	Capacity	16GB/32 GB/64 GB/128 GB/256 GB/512 GB
Operating Environment	Operating Voltage	3.3V±5%
	Operating Temperature	Standard: 0°C (32°F) ~ 70°C (158°F)
		Wide Temp.: -40°C (-40°F) ~ 85°C (185°F)
	Storage Temperature	-40°C (-40°F) ~ 85°C (185°F)
	Humidity	0% ~ 95%
	Shock	1500 G, 0.5 ms, 3 axis
	Vibration (Operating)	3 G (peak-to-peak), 5 Hz ~ 800 Hz (frequency)
Vibration (Non-operating)	5 G (peak-to-peak), 5 Hz ~ 800 Hz (frequency)	
Power	Power Consumption (Operation)	2.48 watt(s)
	Power Consumption (Sleep)	0.48 watt(s)
Performance	Sequential Read/Write (CrystalDiskMark, max.)	Read: 530 MB/s; write: 470 MB/s
	4K Random Read/Write (IOMeter, max.)	Read: 70,000 IOPS; write: 70,000 IOPS
	Mean Time Between Failures (MTBF)	1,500,000 hour(s)
	Terabytes Written (Max.)	1,100 TB
	Drive Writes Per Day (DWPD)	2 (3 yrs)
Warranty	Certificate	CE/FCC/BSMI
	Warranty	Three-year Limited Warranty
Note	<ul style="list-style-type: none"> <li>Speed may vary due to host hardware, software, usage, and storage capacity.</li> <li>The workload used to rate DWPD may be different from your actual workload, which may vary due to host hardware, software, usage, and storage capacity.</li> </ul>	

## Mechanical Dimensions



Product specifications are subject to change without notice. Pictures shown may differ from actual products. Total accessible capacity varies depending on operating environment. Due to the complexity and variety of industrial applications, Transcend cannot guarantee 100% compatibility with all platforms and under all scenarios. For special applications and environments, it is strongly suggested that you contact Transcend beforehand for clarification.



Please feel free to contact us with any special requests you might have.  
Tel: +886-2-2792-8000 [www.transcend-info.com](http://www.transcend-info.com)

